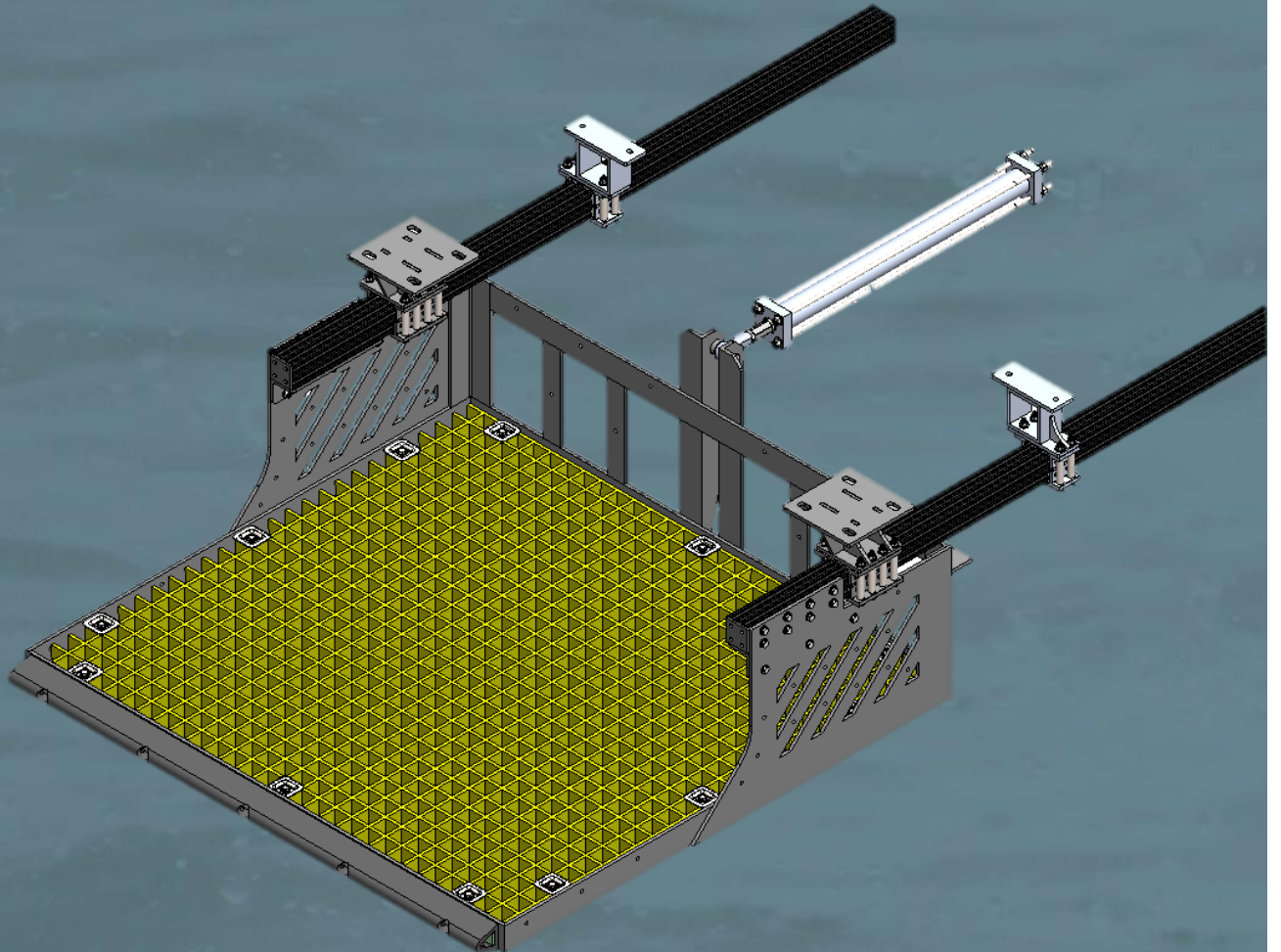


ROPOS

CANADIAN SCIENTIFIC SUBMERSIBLE FACILITY



Sampling Tray

Summary

The Sampling Tray is a platform mounted in the main working area of the ROV, designed to support subsea sampling and equipment handling operations. It can carry up to four small Bio-boxes or serve as a deployment/recovery surface for various mission equipment.

The platform extends forward up to 20" from the ROV, positioning the working area into a more accessible and visible location. This improves operational efficiency and enhances overall task safety during subsea operations.

Key Features

- Extends forward up to 20" for improved access and visibility
- Large working surface for tools, samples, and payloads
- Supports up to four small Bio-boxes
- 700 lb (317.5 kg) payload capacity

Specifications

General	
Usable Footprint (W X D)	43" X 39" (1145mm X 1002mm)
Extendable Range	20" forward travel
Payload Capacity	700 lbs (317.5 kg)
Hydraulics	
Hydraulic Requirement	1000 psi (70bar)
Connections	2x -4 MJIC
Environmental	
Depth Rating	Full Ocean Depth
Mechanical	
Construction	Aluminum, Fiberglass
Weight in Air	137.6 lbs (62.4 kg)
Weight in Water	86.5 lbs (39.2 kg)

Configuration Examples

